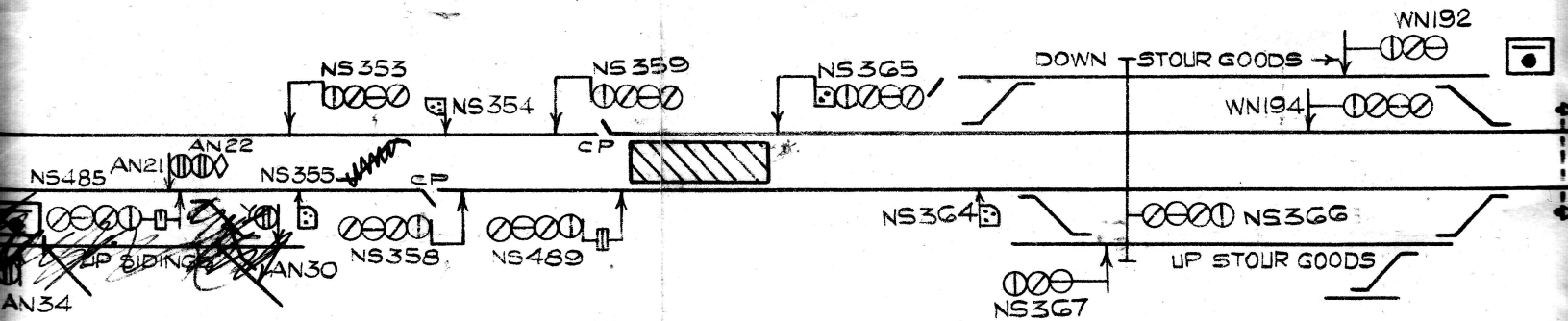


BIRMINGHAM S.F.

DUDLEY PORT STATION

WATERY CROSSING



BIRMINGHAM NEW

**BIRMINGHAM NEW STREET
SMETHWICK WEST AND DU**

MULTIPLE ASPECT SIGNALL

NOT TO SCALE

**STAGE IA PERMANENT WAY
STAGE IC PERMANENT WAY**